

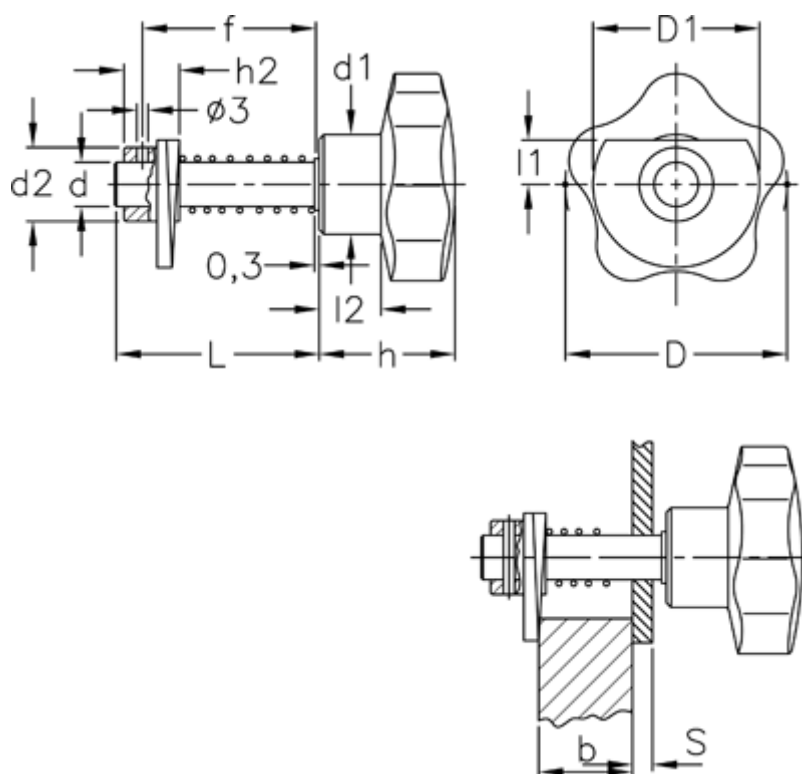
Data Sheet



Article number: 2310068461

Description: E+G Latch-type knob
VCK.362/60-3-D

Measures



$D = 60$

$d = 12$

$D1 = 45$

$d1 = 27$

$d2 = 20$

$f = S + b + 8,5 \text{ mm}$

$h = 37$

$h2 = 15$

Hole size = 12 H9

$L = 64$

$l1 = 12$

$l2 = 17$

$S+b$ door thickness $S > 5 \text{ mm} = 17 \text{ til } 49$